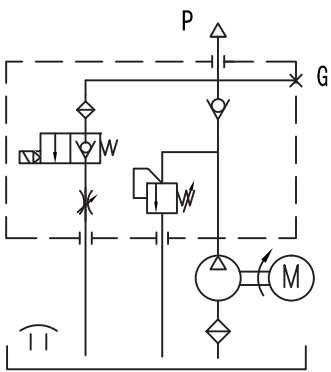
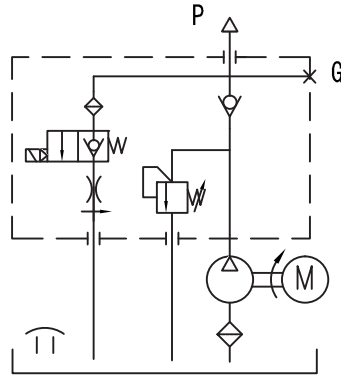


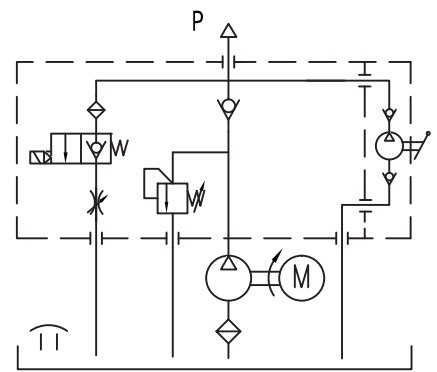
Hydraulic Circuit



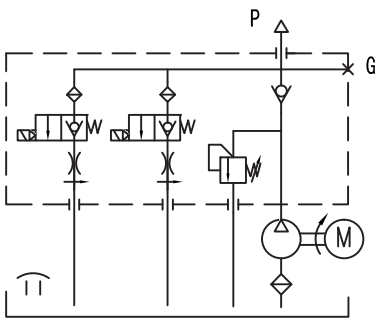
101



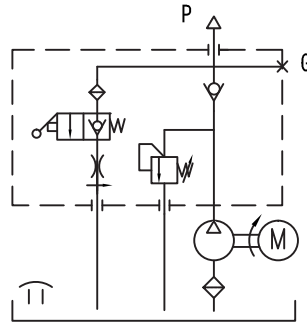
102



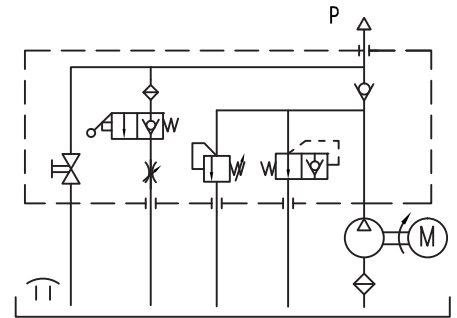
103



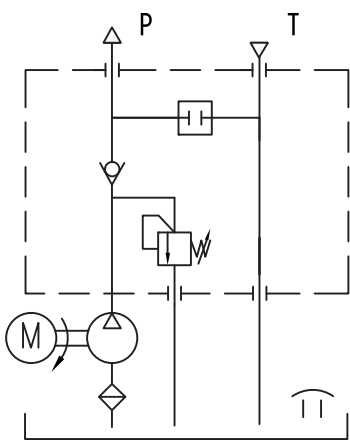
104



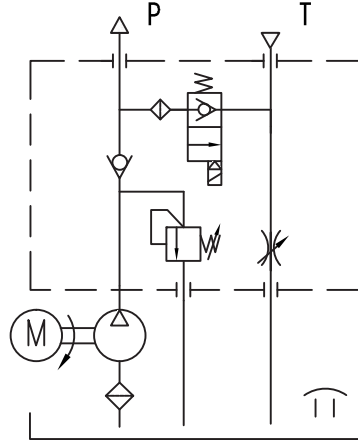
105



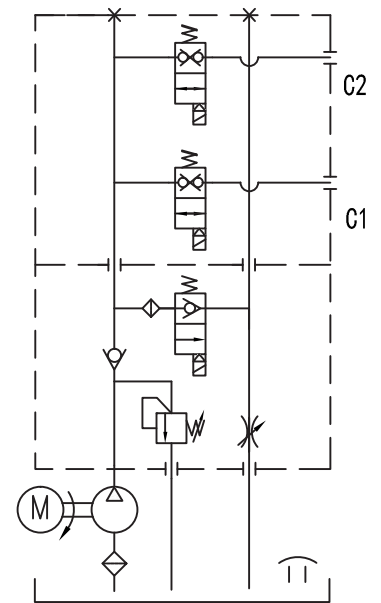
106



107

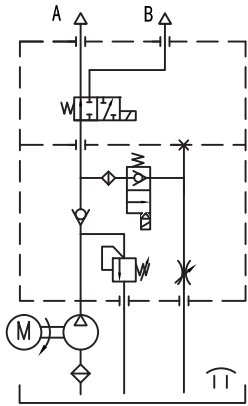


108

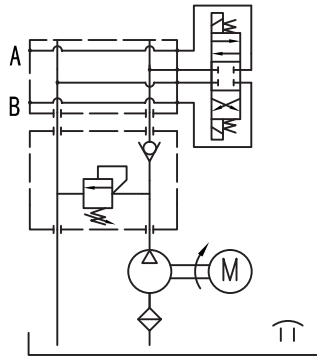


109

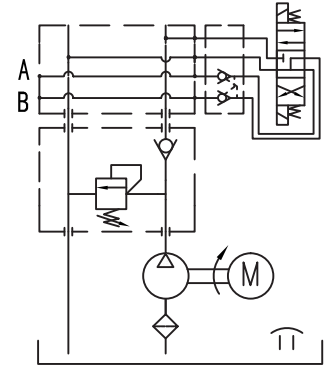
Hydraulic Circuit



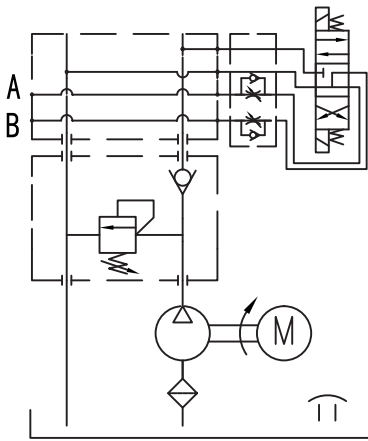
110



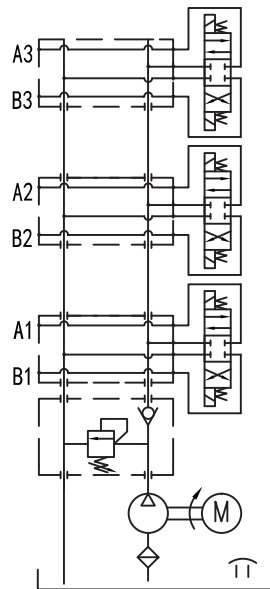
111



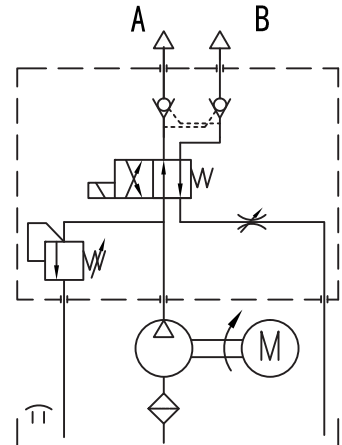
112



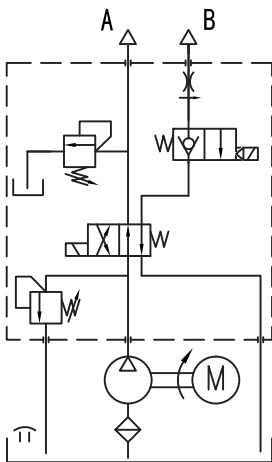
113



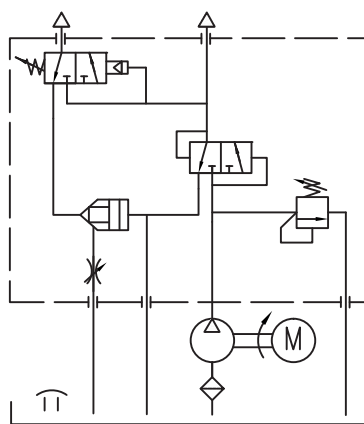
114



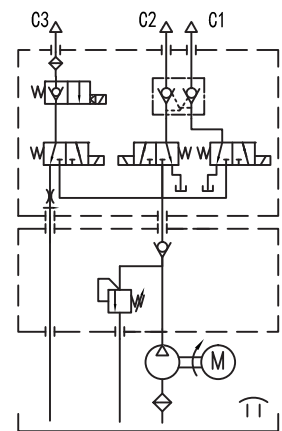
115



116



117



118